



WOVEN AND NEEDLEPUNCHED FABRICS

USAGE:

- To fluidise powder, in the bottom of powder storage hoppers/bins to increase powder transport rates.

MOST POPULAR MEDIA WEIGHTS:

- 4 Ply (AS4)
- 6 ply (AS6)
- Other weights available on request.

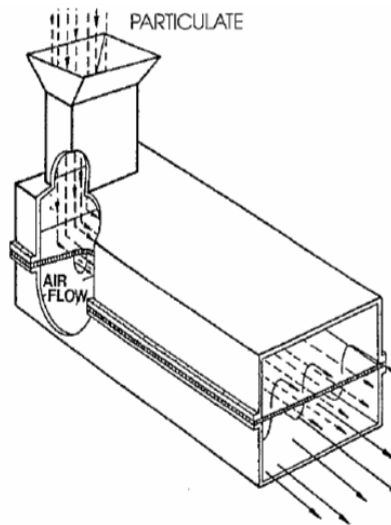
AVAILABLE SIZES:

- Custom cut to any size. All pieces have salvaged edges to eliminate fraying.



BENEFITS:

- Increased lateral rigidity.
- Consistent air permeability, ensuring even flow rates and accelerated unloading times.
- Reduced installation times.
- Superior abrasion resistance.
- Resists blinding.
- Curved sections easily cut.
- Rot and mildew resistant.



Air Slide